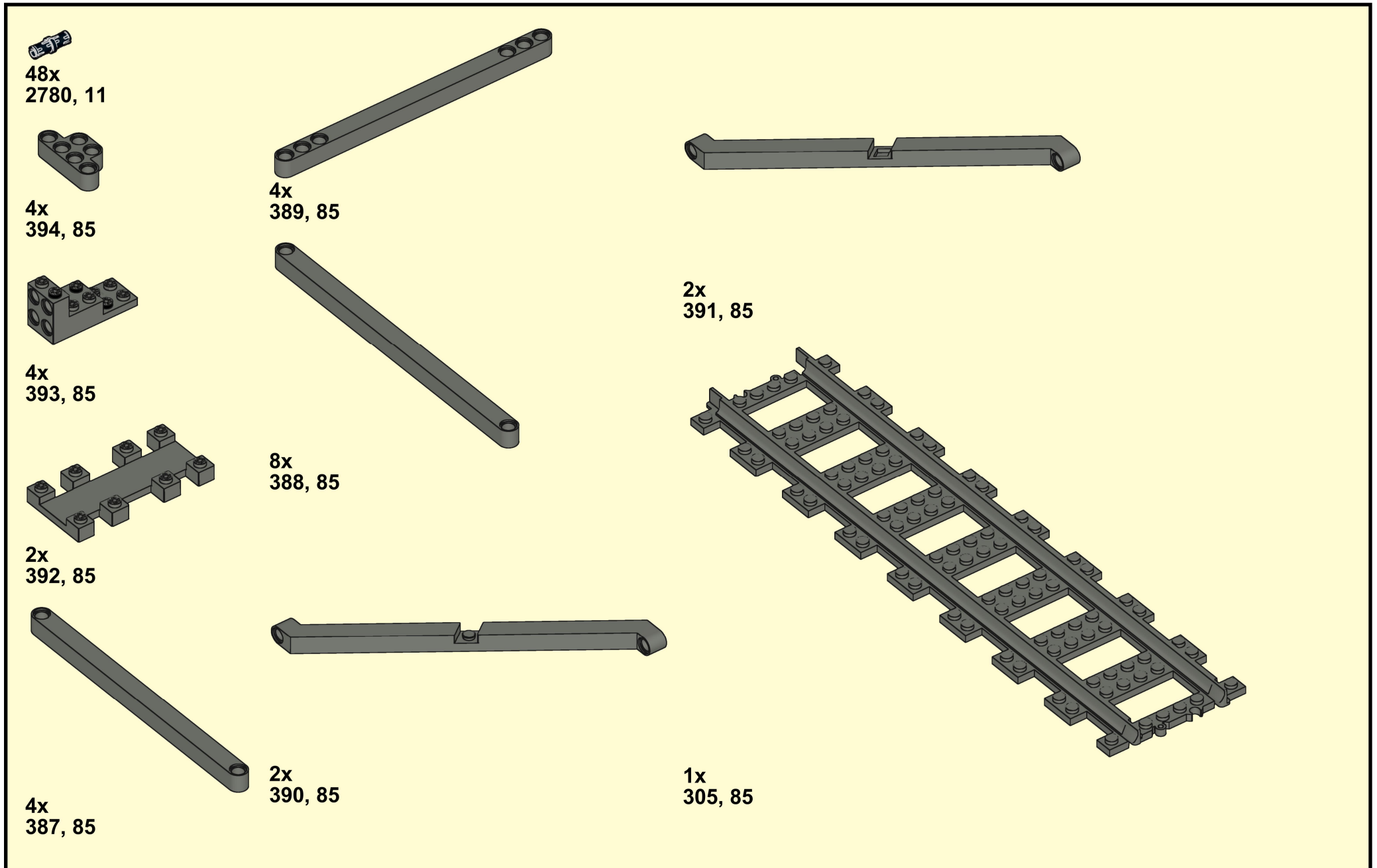
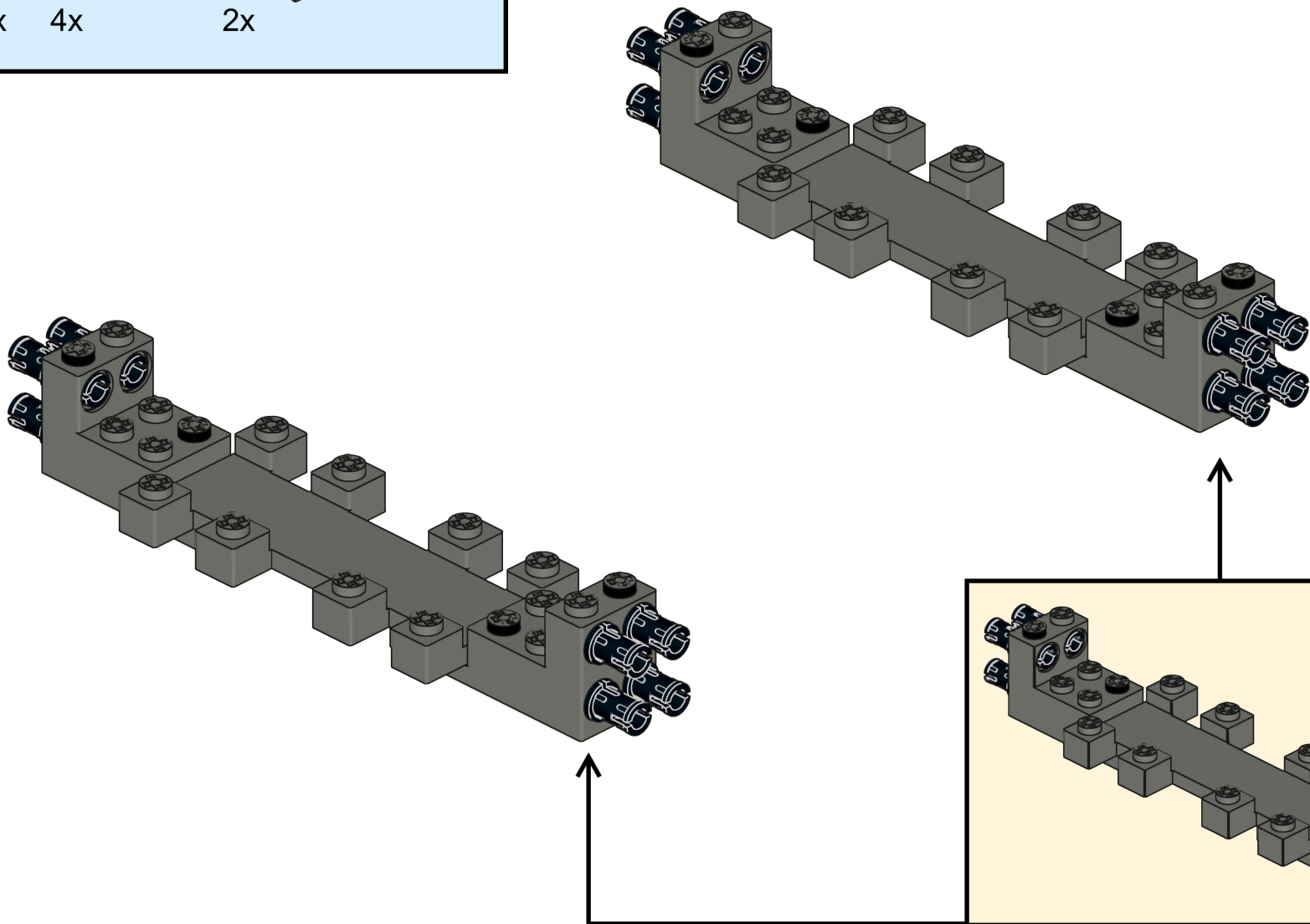
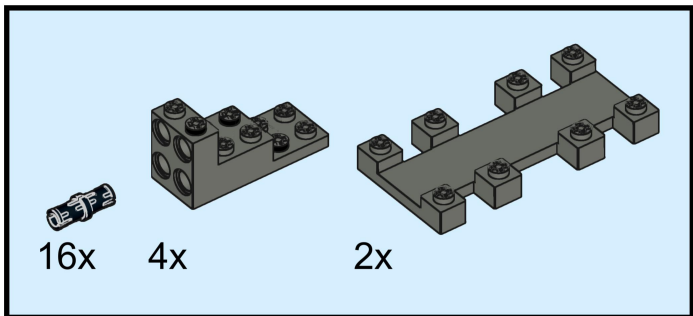


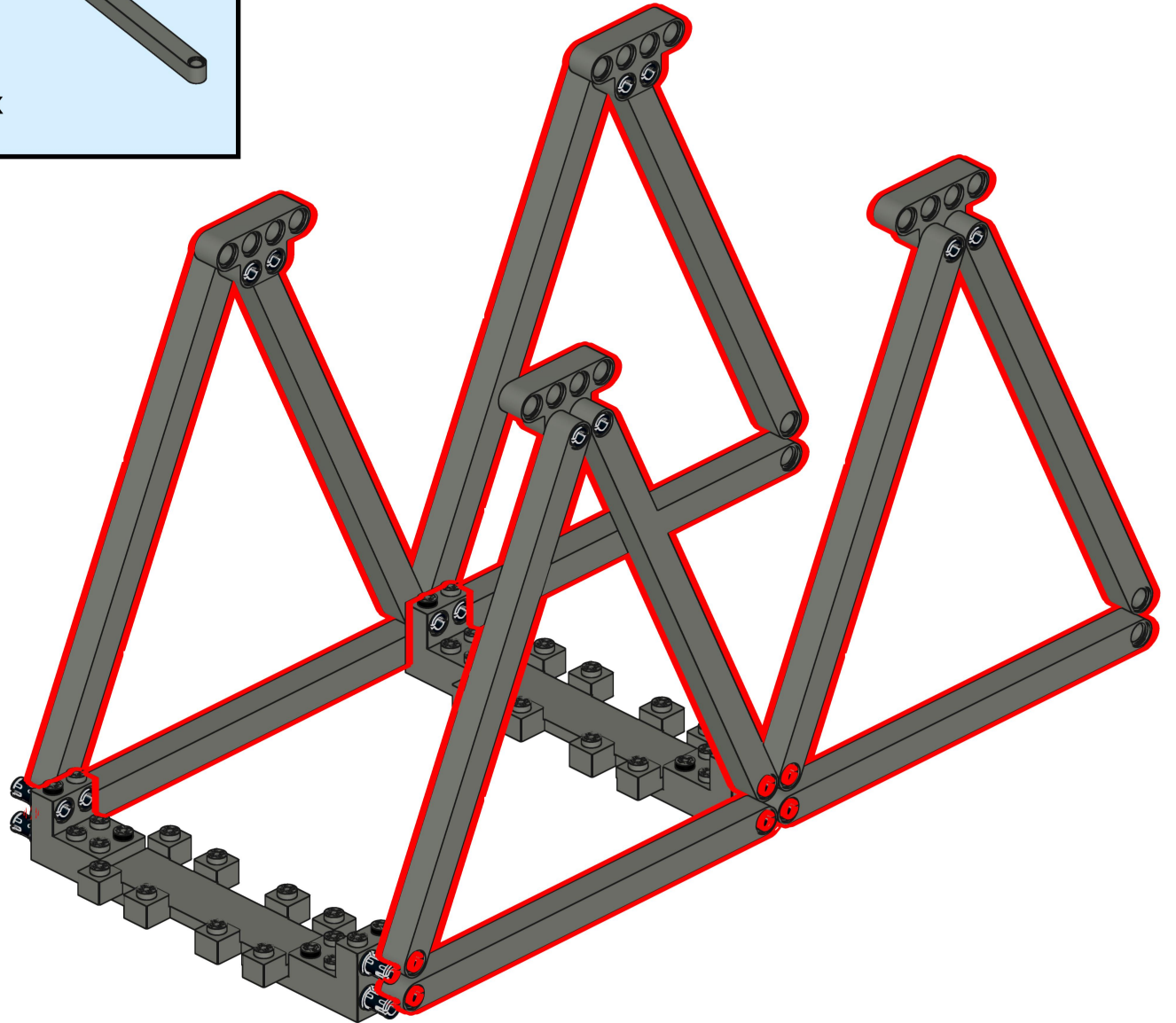
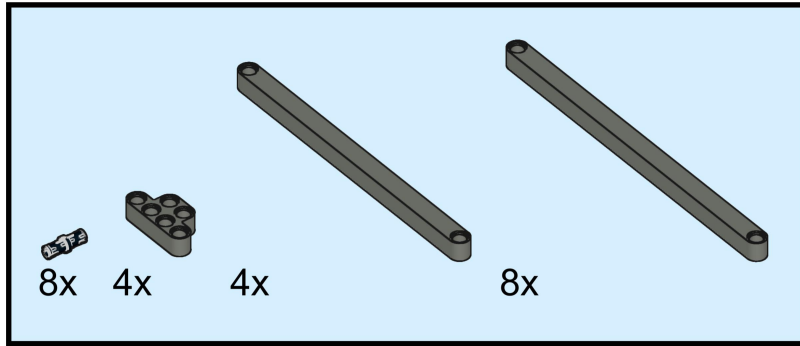
2 Span Train Bridge Extension

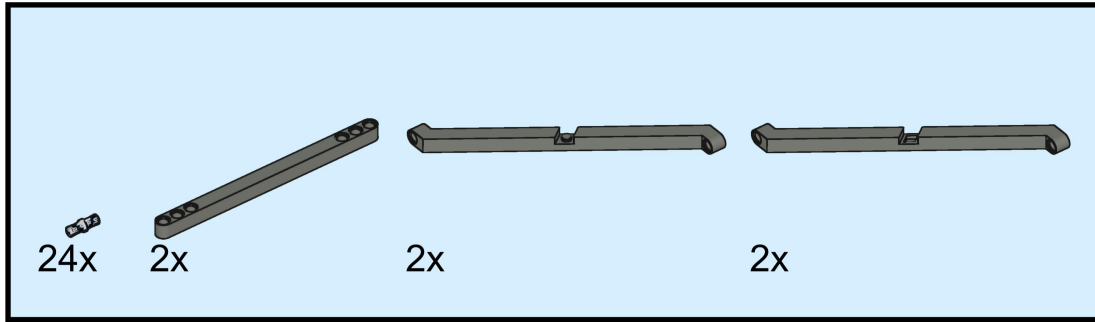


1

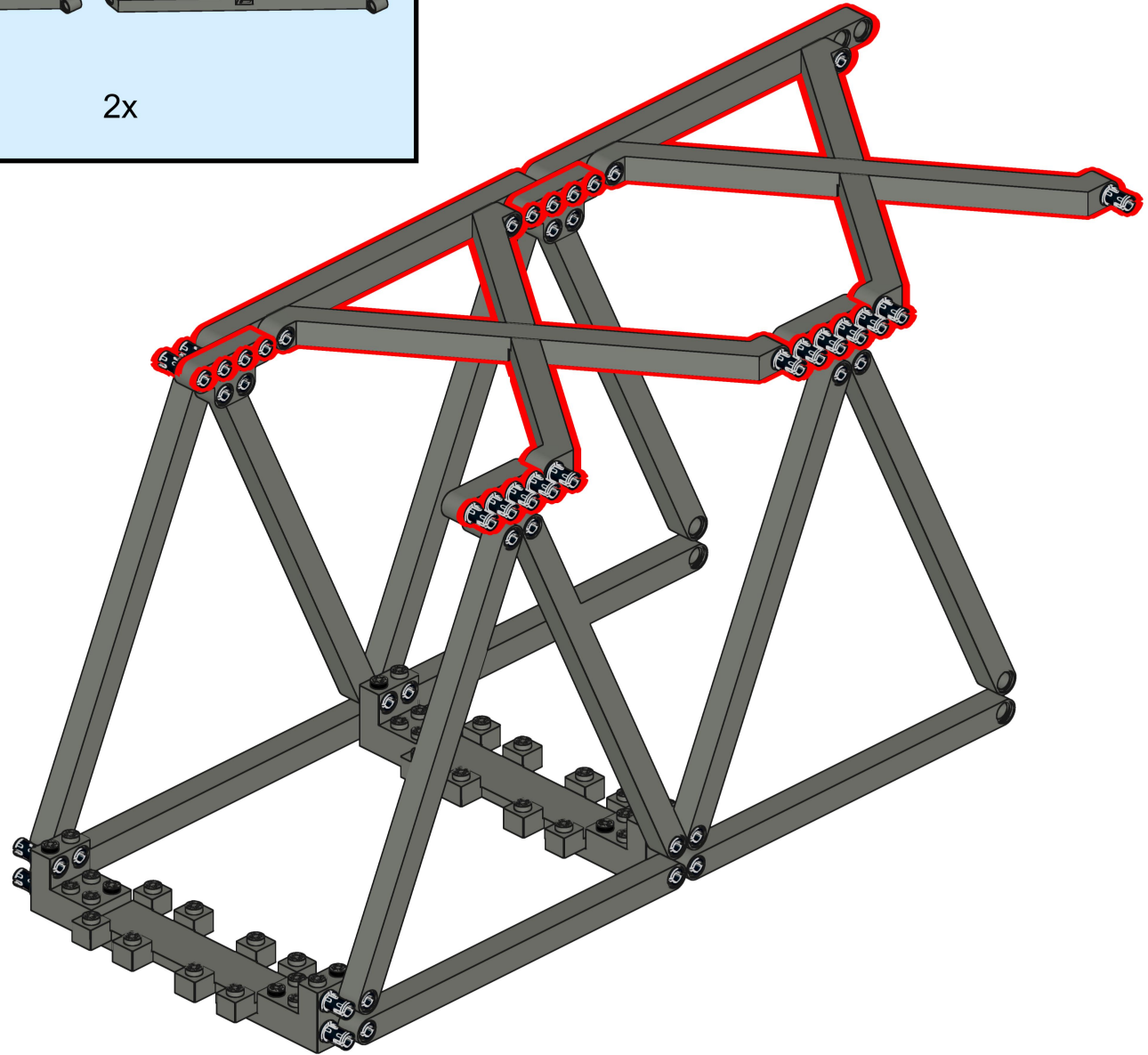


2





3



4

