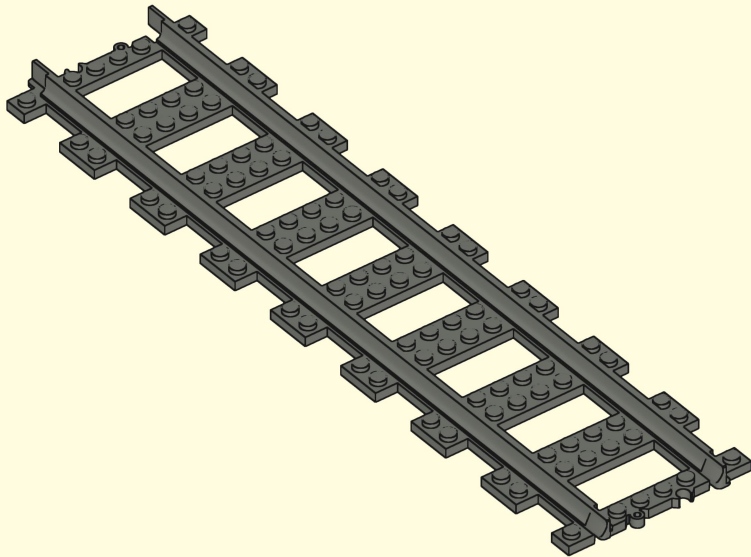


# 4 Span Train Bridge

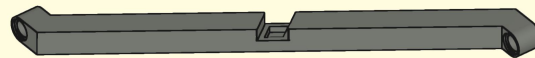
84x  
2780, 11



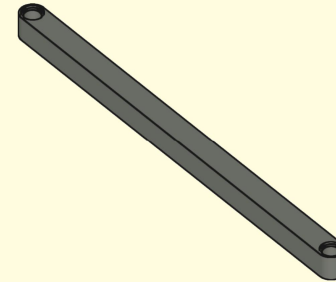
2x  
305, 85



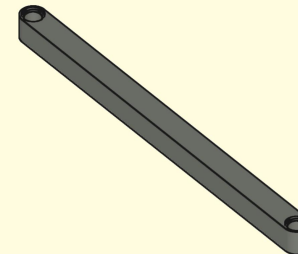
3x  
390, 85



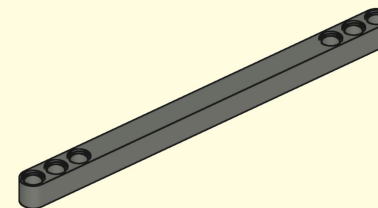
3x  
391, 85



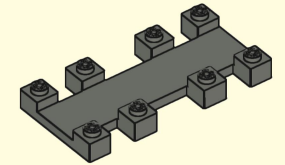
16x  
388, 85



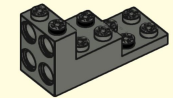
8x  
387, 85



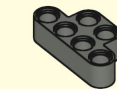
8x  
389, 85



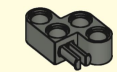
5x  
392, 85



10x  
393, 85



4x  
394, 85

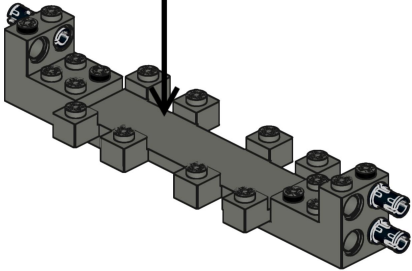
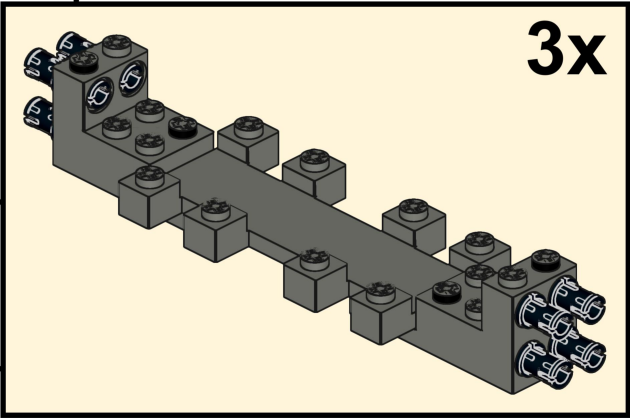
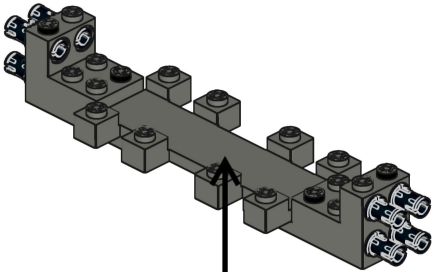
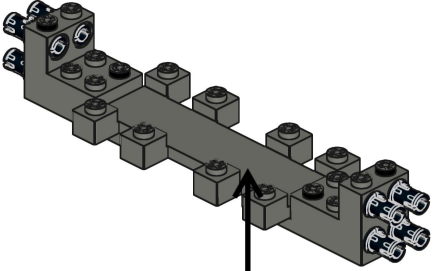
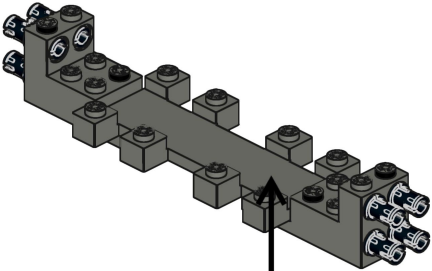
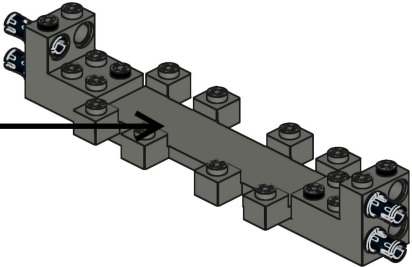
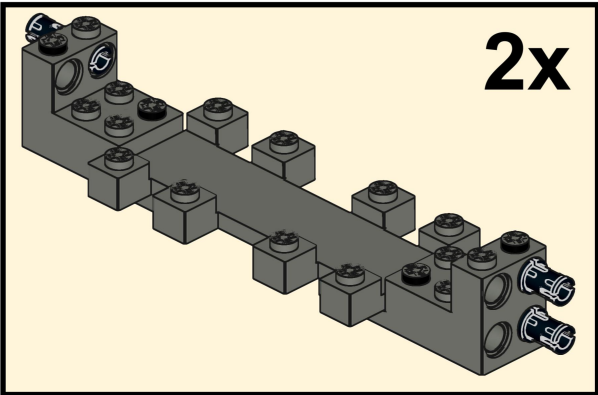
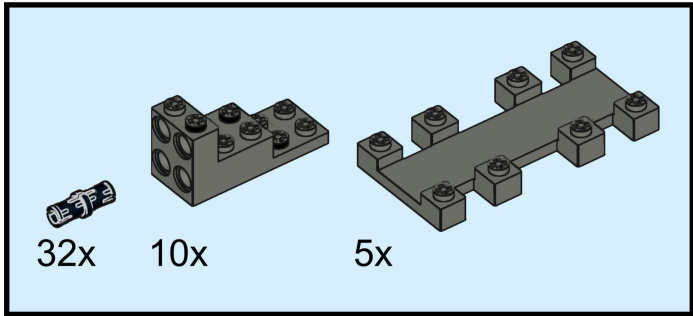


4x  
395, 85

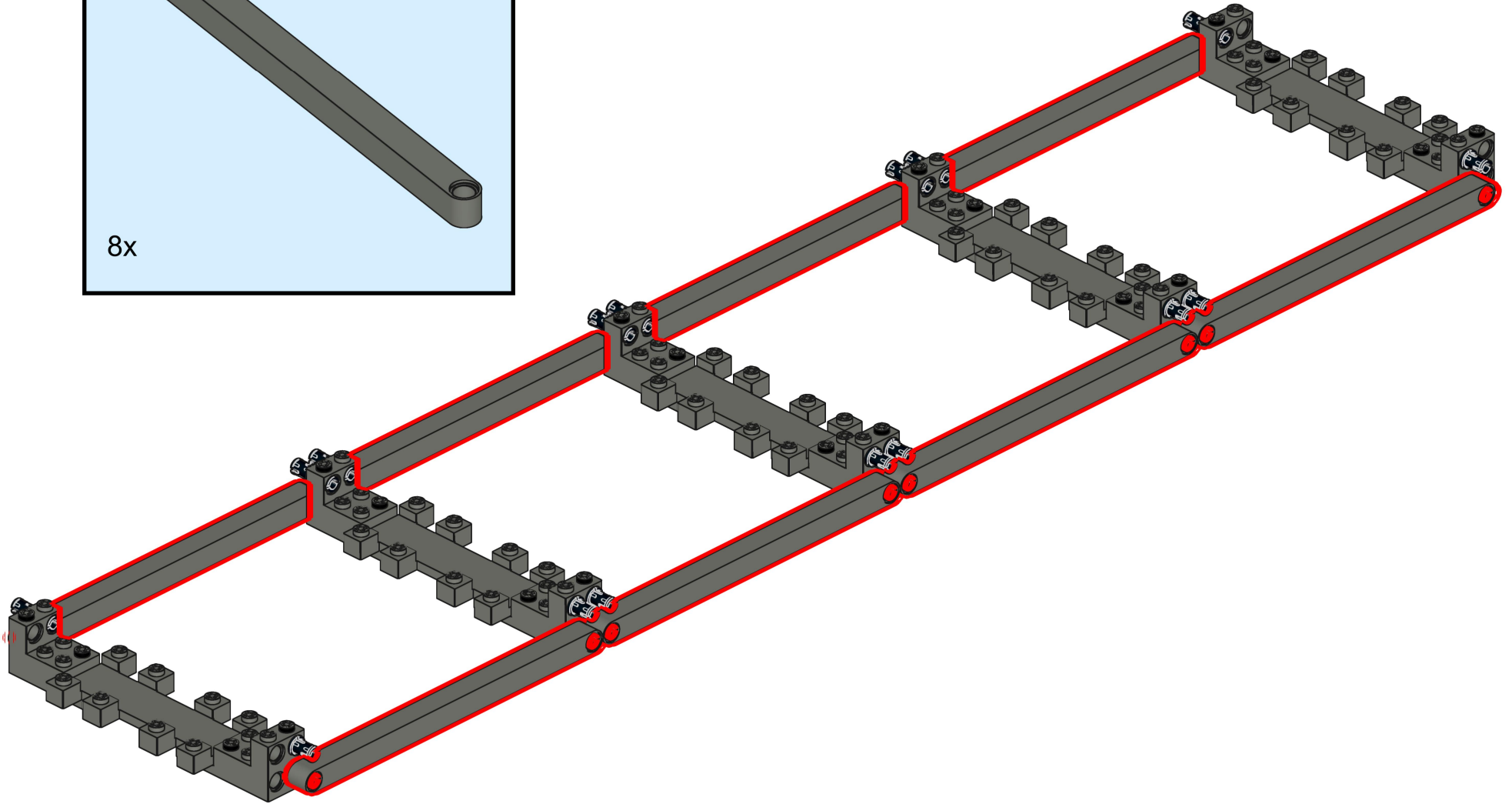
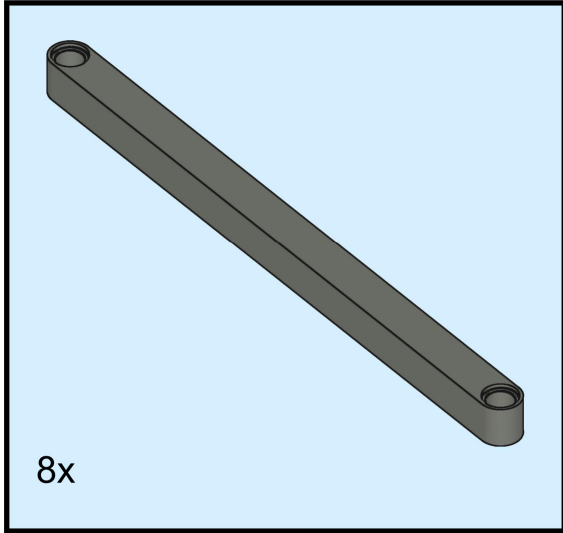
TRI✘BRI✘.eu

Custom train tracks

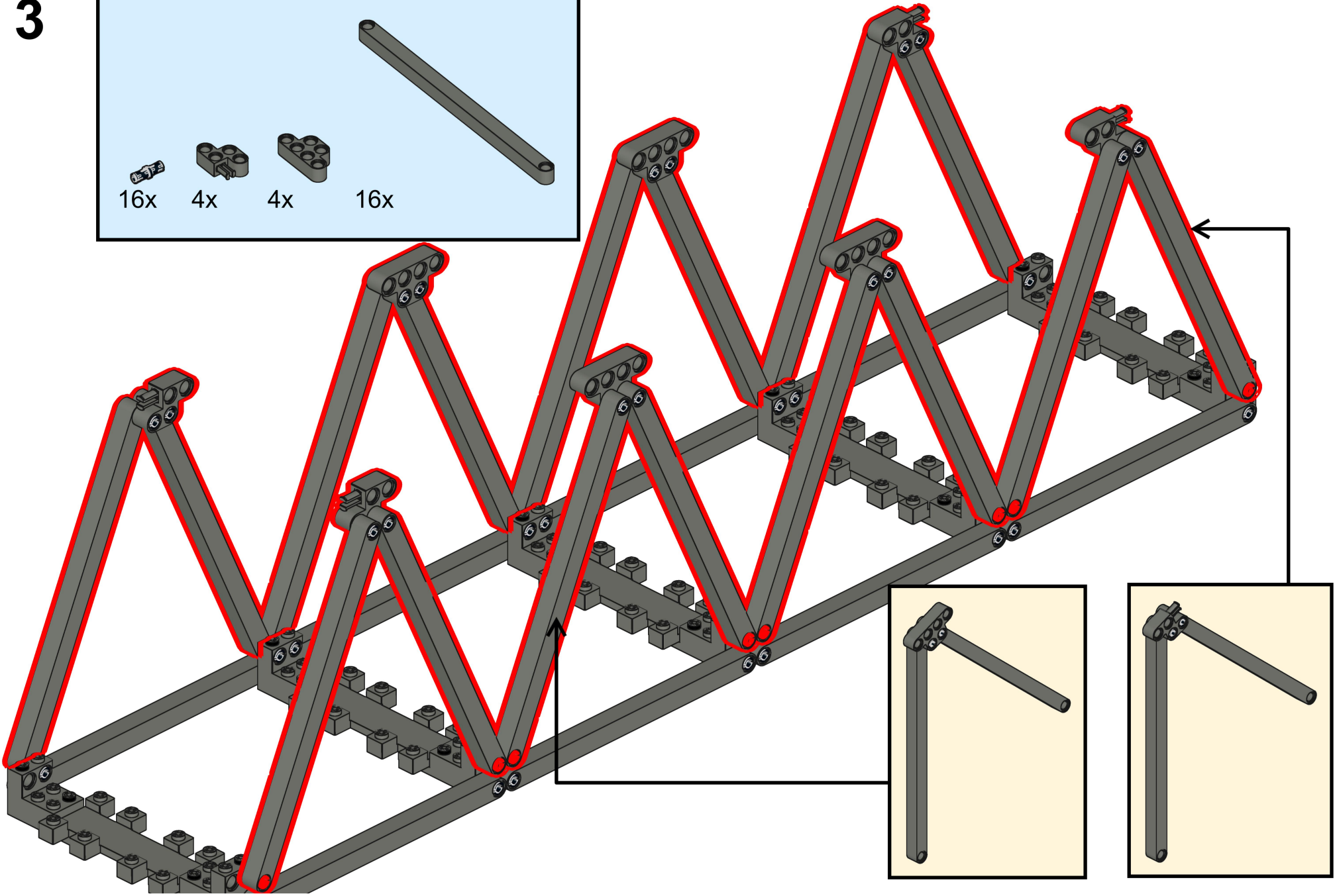
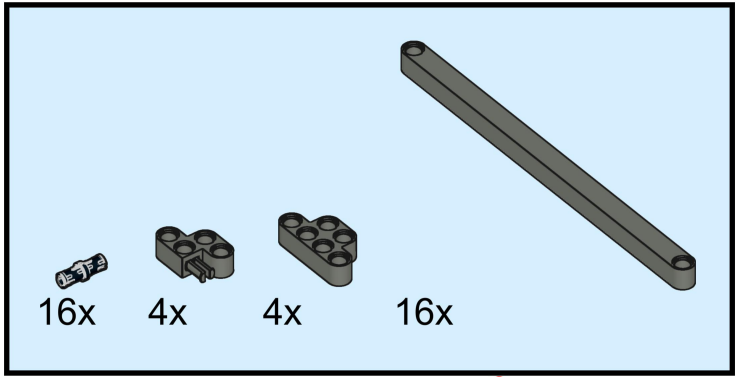
1



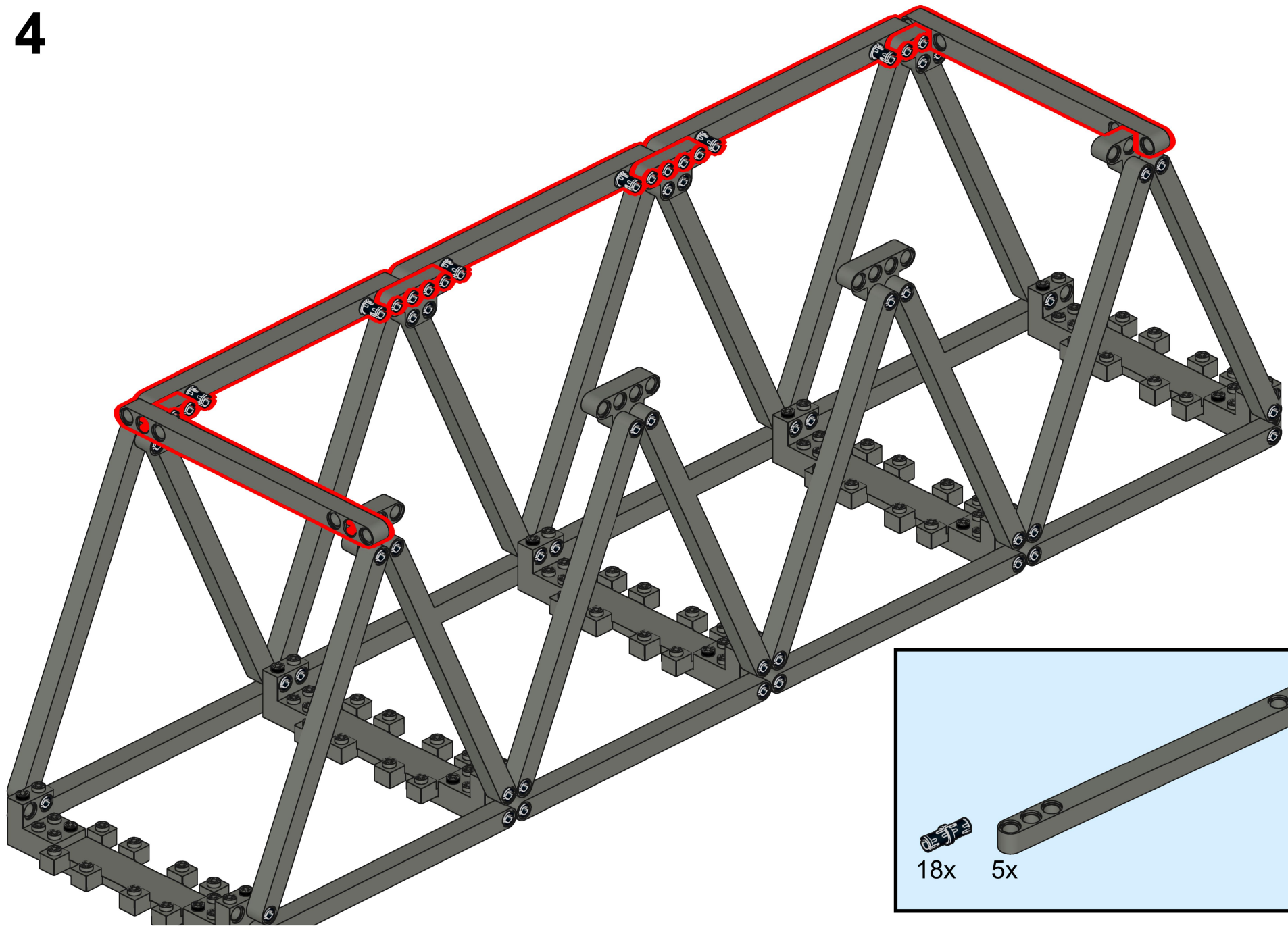
2



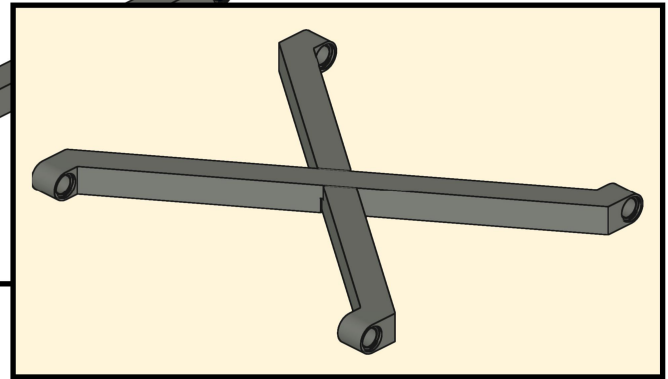
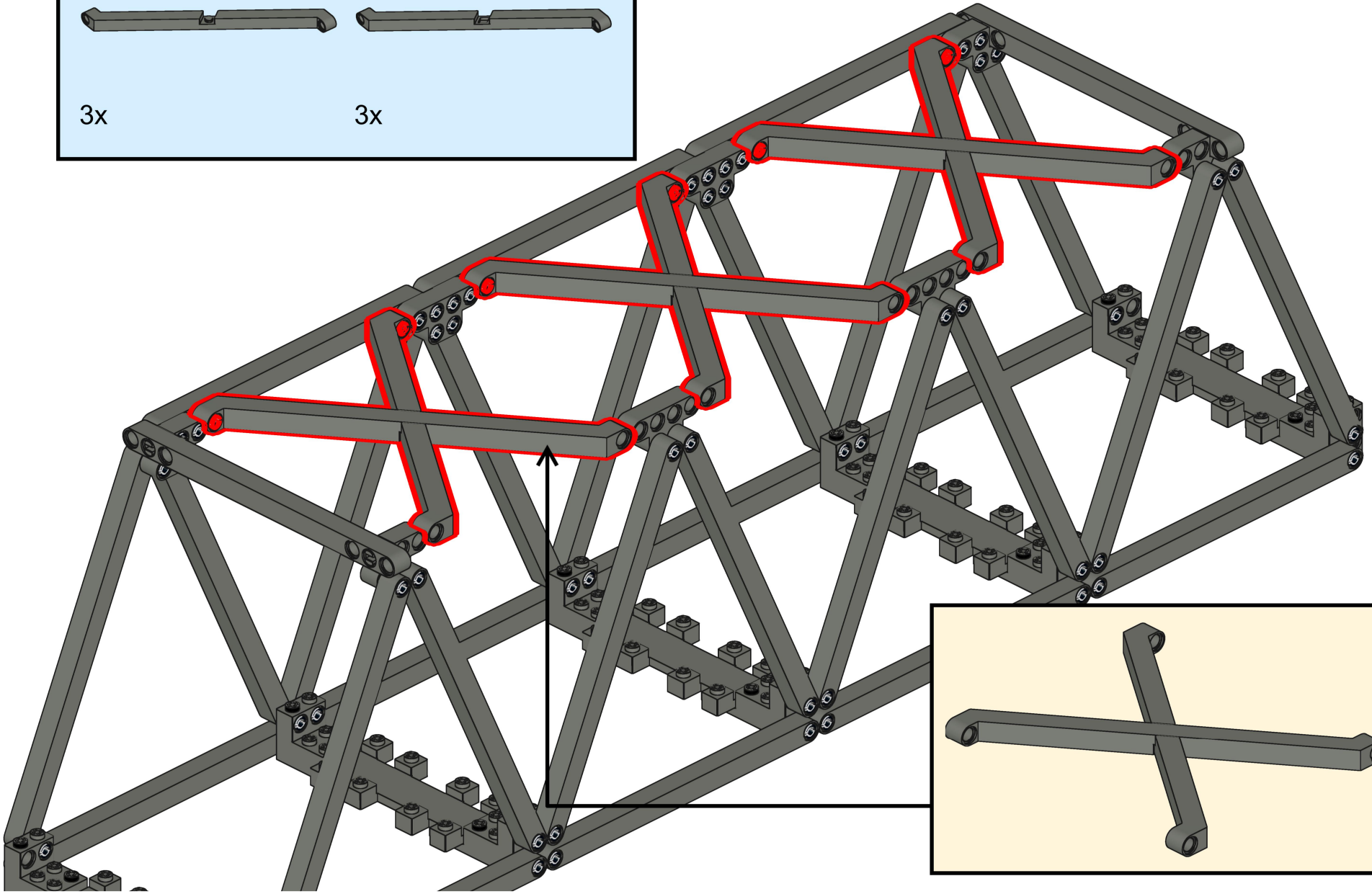
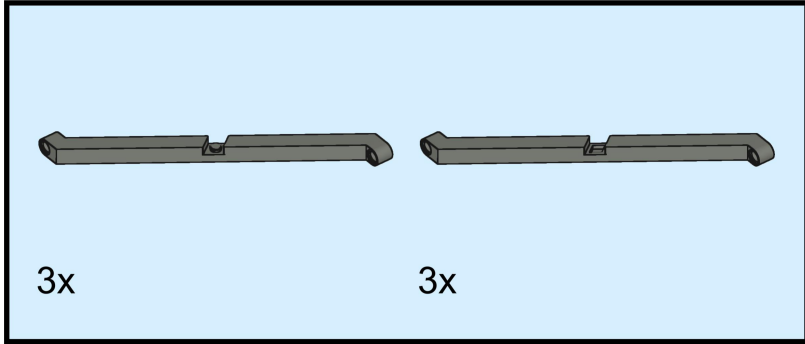
3



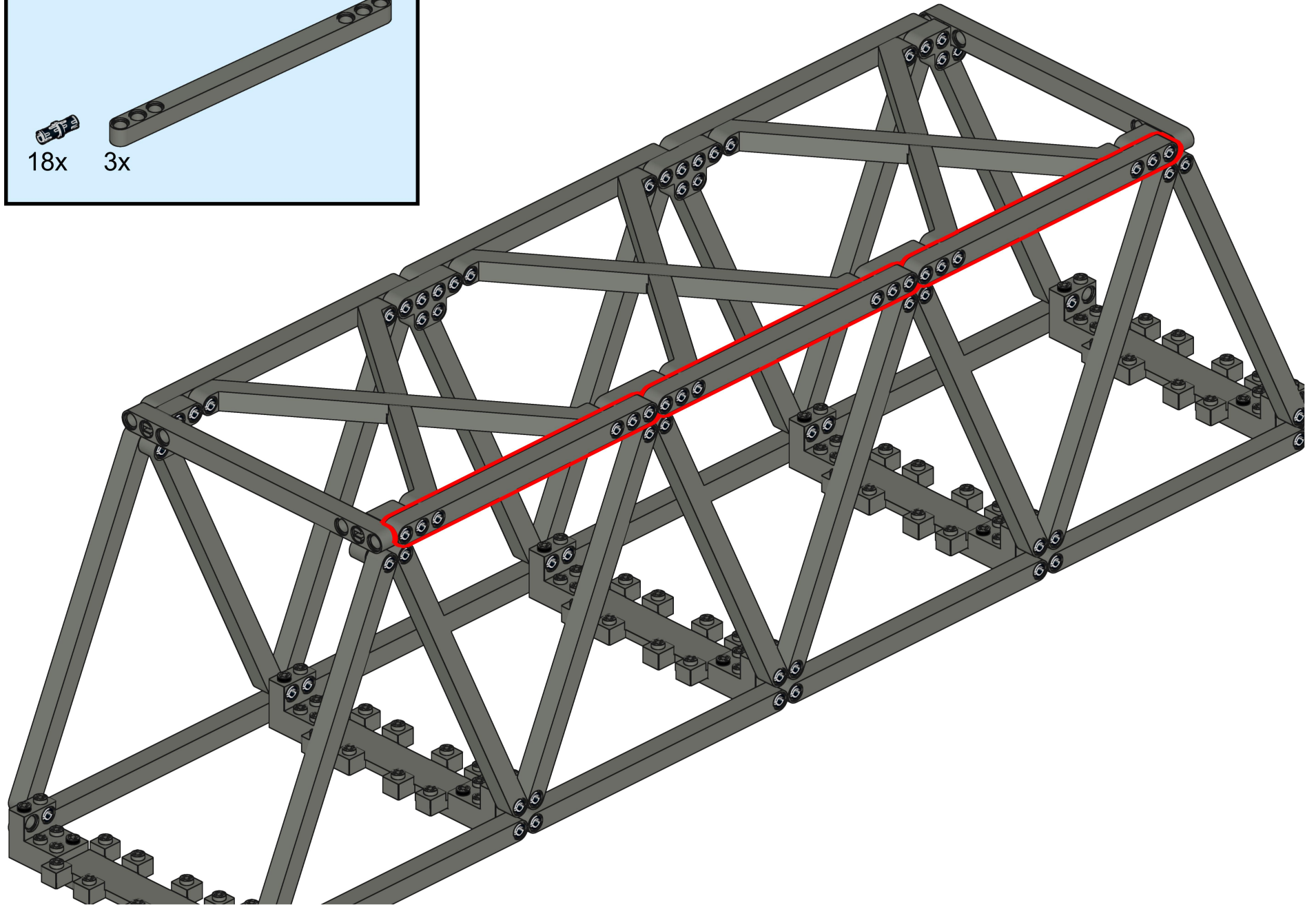
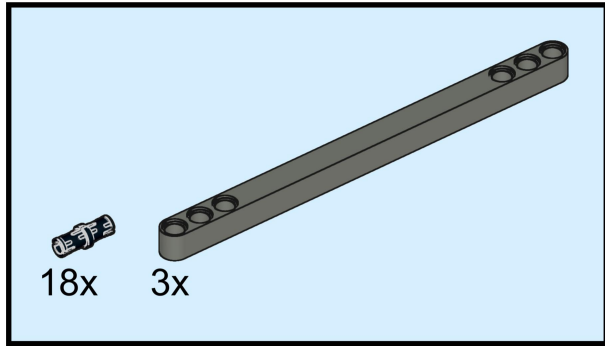
4



5



6



7

